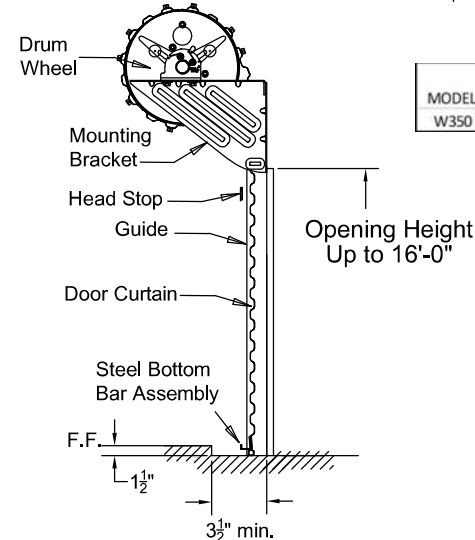
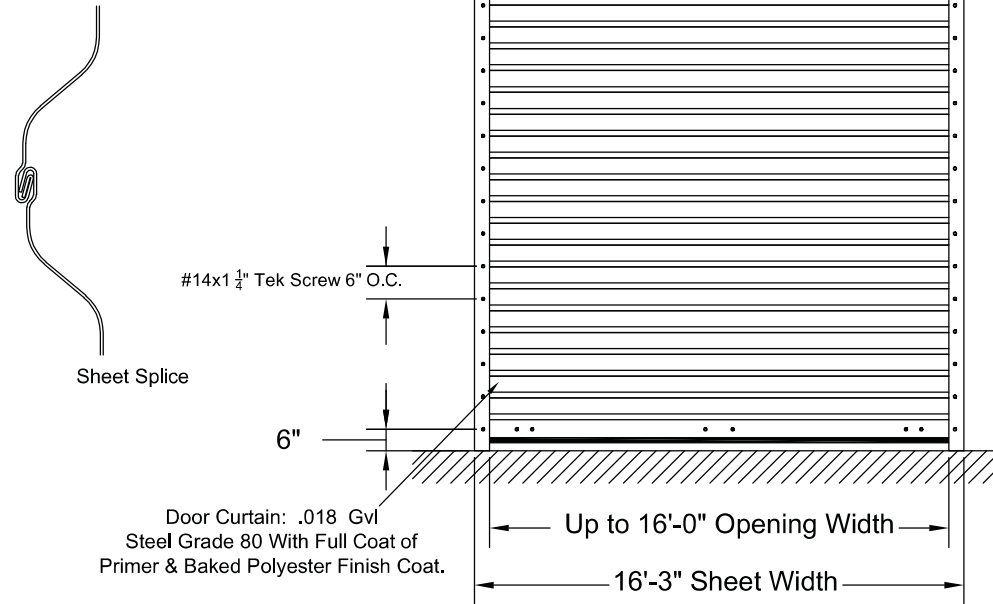
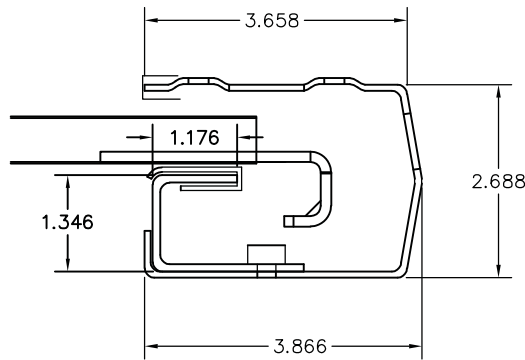
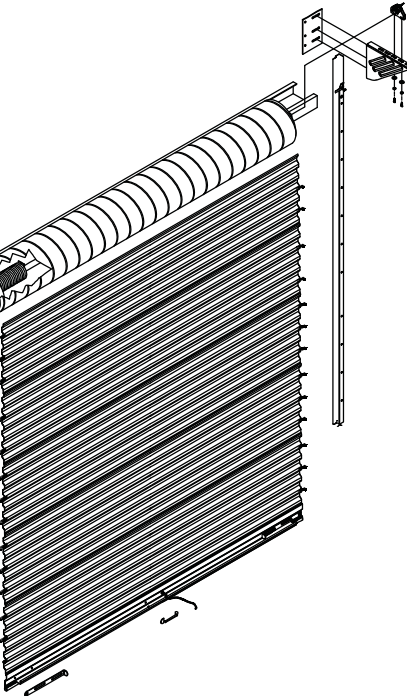
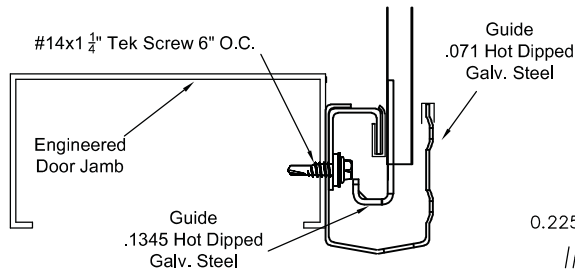


Note: Windlocks from .1345 Galv Steel & Riveted to Alternate Corrugations with 2 Steel Rivetes



Non Impact Pressure Test

MODEL	MAXIMUM DOOR WIDTH	MAXIMUM DOOR HEIGHT	DESIGN LOAD POSITIVE PSF	DESIGN LOAD NEGATIVE PSF
W350	16'-0"	16'-0"	41.8	-41.7

Date of Test Oct 15, 2018

